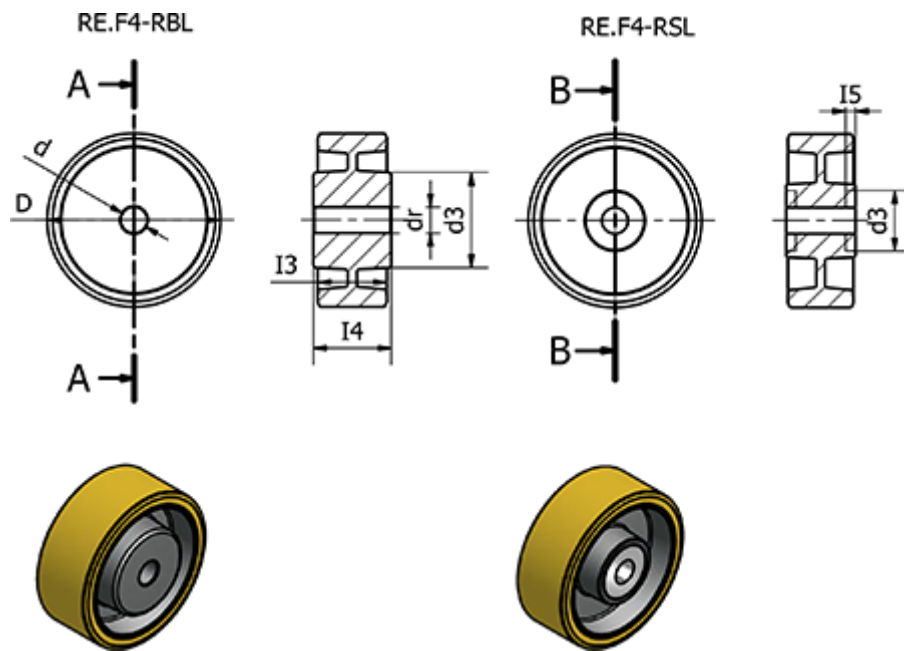


Article number: 2314451416

Description: E+G Cast iron wheel 451416
RE.F4-250-RSL - loose wheel with ball bearings

Measures



Code	= 451416	Max static load (N)	= 28000
d	= 250	Rolling resistance (N)	= 5000
d3	= 62	Type	= RE.F4-250-RSL
dr	= -	Weight (g)	= 9810
Dynamic carrying capacity (N)	= 19000		
I3	= 80		
I4	= 86		
I5	= 17		